

M1620-MPW2

f=16mm F2.0

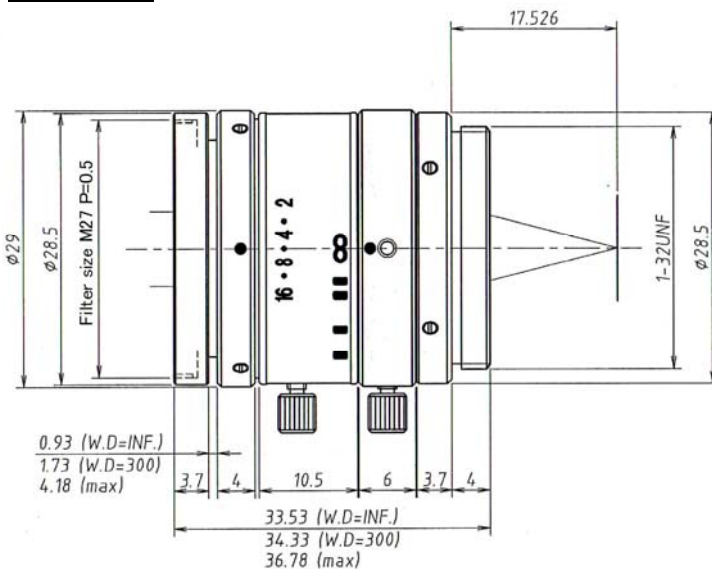
for 2/3 type Cameras, 5 Megapixel

C-Mount

Model No.	M1620-MPW2		Effective	Front	φ 18.0mm		
Focal Length	16mm		Lens Aperture	Rear	φ 11.0mm		
Max. Aperture Ratio	1:2.0		Distortion	2/3 type	0.09%(y=5.5)		
Max. Image Format	8.8mm x 6.6mm(φ 11mm)			1/1.8 type	-0.06%(y=4.32)		
Operation Range	Iris	F2.0 - F16.0		1/2 type	-0.07%(y=4.0)		
	Focus	0.2m - Inf.	Back Focal Length	14.7mm			
Control	Iris	Manual	Flange Back Length	17.526mm			
	Focus	Manual	Mount	C-Mount			
Object Dimension at M.O.D.	2/3 Type	8.8cm x 11.74cm	Filter Size	M27.0 P=0.5mm			
	1/1.8 Type	6.93cm x 9.20cm	Dimensions	φ 29mm x 33.53mm			
	1/2 Type	6.40cm x 8.53cm	Weight	53.0g			
Angle of View	D	2/3 Type	37.7°	1/1.8 Type	30.1°	1/2 Type	28.0°
	H			30.7°	24.3°		22.6°
	V			23.3°	18.5°		17.1°
Operating Temperature	-10°C - +50°C						

M.O.D. : Minimum Object Distance

Dimensions



Working Distance (mm)	Optical Magnification	Extension Ring (mm)	Field of View(mm)					
			2/3"		1/1.8"		1/2"	
			H	V	H	V	H	V
500	-0.031	-	281.9	211.6	221.2	166.8	205.2	153.9
450	-0.035	-	254.5	191.0	199.7	150.5	185.2	138.9
400	-0.039	-	227.1	170.4	178.2	134.3	165.3	124.0
350	-0.044	-	199.7	149.8	156.6	118.0	145.3	109.0
300	-0.0511	-	172.2	129.2	135.1	101.8	125.3	94.0
250	-0.061	-	144.8	108.6	113.6	85.6	105.1	79.2
200	-0.075	-	117.4	88.0	92.0	69.3	85.3	64.0
150	-0.098	0.5	90.0	67.4	70.5	53.1	65.3	49.0
100	-0.142	0.5	62.5	46.8	48.9	36.8	45.4	34.0

Field of View = CCD Size / Optical Magnification



Head Quarters
2-15-13, Tsukishima, Chuo-ku, Tokyo 104-0052, Japan
Tel : +81 (0)3 3536 4851 Fax : +81 (0) 3 3536 4841
http://www.cbc.co.jp

