

KEY FEATURES

- ❖ Fully supports Base/Medium/Full configurations for Camera Link™ cameras/frame grabbers
- ❖ Supports the most demanding 10 taps x8 bits extended full configuration
- ❖ Provides 670 Mbytes/s effective image data bandwidth
- ❖ Direct plug – no electrical camera link cable needed
- ❖ Two LC duplex fiber interface
- ❖ Single 5V~24V DC power supply
- ❖ Included international AC/DC adapters accepting 100~240V AC power
- ❖ Transmission distance - up to 250 m with OM2 and 600 m with OM3 50/125um multimode fiber
- ❖ Compact size – 59L x 39.4W x 17H mm (2.326L x 1.551W x 0.669H inch)

TARGET APPLICATIONS

- ❖ Solar panel or glass panel inspection
- ❖ Semiconductor wafer inspection
- ❖ High speed printing inspection
- ❖ High precision surface inspection (e.g. airplane surface or automobile painting)
- ❖ Automated product inspection (e.g. food, drinking or pharmaceutical products)
- ❖ High resolution and real-time analysis for science, sports, automobile tests, and 3-D animation.
- ❖ High precision security surveillance (e.g. border control, airport)
- ❖ Traffic surveillance/control and vehicle license plate reading/recording (e.g. toll booth)
- ❖ Cameras placed in harsh environment (e.g. nuclear plant, steel mill or undersea monitoring)
- ❖ Other Machine Vision Applications

PHRONTIER™
TECHNOLOGIES

PHAST™ Camera Link Fiber Adapter

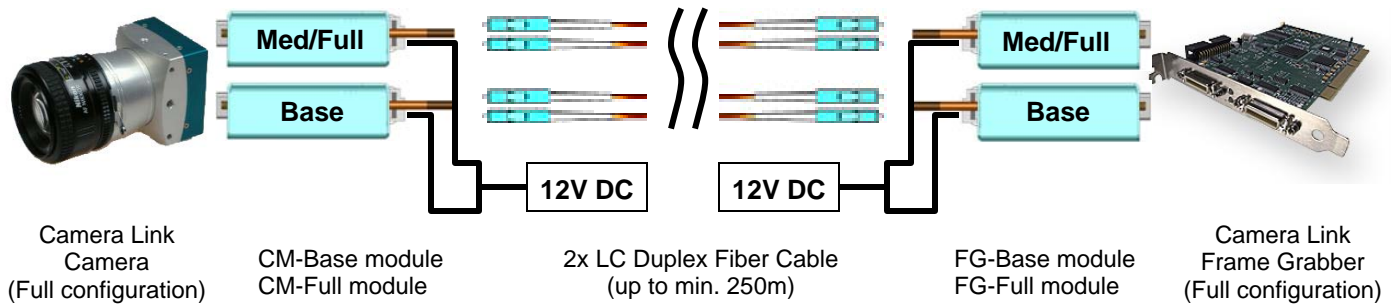
**Base/Medium/Full
Extended Full
Configurations**

**PHF-66-M025
PHF-85-M025**



Phrontier Technologies, LLC
www.phrontier-tech.com
sales@phrontier-tech.com
Toll Free: 1-866-389-2829
Fax: 1-801-998-1855

TYPICAL SET UP DIAGRAM



TECHNICAL SPECIFICATIONS

General Specification

Operating Temperature	Ambient	0 ~ 40 °C
	Case	0 ~ 60 °C
Storage Temperature	-40 ~ 85 °C	
Input Voltage	DC 5 ~ 24 V	
Typical Supply Current @12V DC	CM-base + CM-full	0.38 Amp
	FG-base + FG-full	0.43 Amp
Connector Type	Micro USB type B with custom pin assignment	

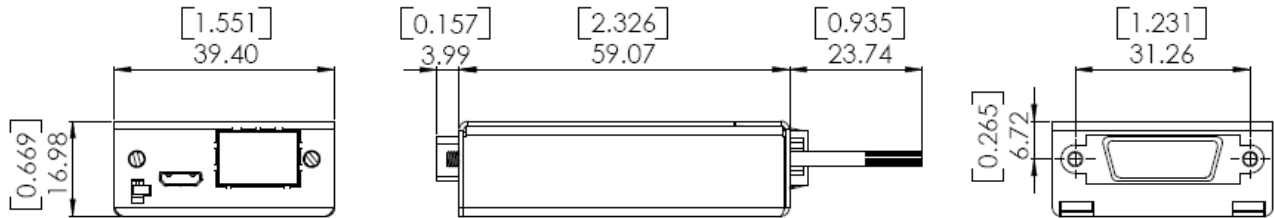
Camera Link Interface

	PHF-66-M025	PHF-85-M025
Pixel Clock Range	24~66 MHz	60~85 MHz
Supported Camera Configuration	Base, Medium, Full and 10 taps x 8 bits	
Effective Data Throughput	670 Mbytes/s	
Connector Type	MDR26 plug	

Optical Interface

Operating Wavelength	850 nm
Min Optical Tx Output Power	-10 dBm
Min Optical Rx Power	-15 dBm
Transmission Distance	Up to 250 meter
Connector Type	LC duplex
Fiber Type & Estimated Link Distance	Up to 600 meter for OM3 (50/125 μm) MM fibers Up to 300 meter for OM2 (50/125 μm) MM fibers Up to 150 meter for OM1 (62.5/125 μm) MM fibers

MECHANICAL INFORMATION (mm [inch])



ORDERING INFORMATION

System Models

Model #	Pixel CLK	Items included in package
PHF-66-M025	24~66MHz	1x CM-Base (transmitter) 1x CM-Full (transmitter) 1x FG-Base (receiver)
PHF-85-M025	60~85MHz	1x FG-Full (receiver) 2x 12V DC output international wall mount AC/DC power adapters with cable assembly (LC duplex fiber cables not included)

Accessory

Part #	Description
618-MUSB-2	Y-split power cable with Switchcraft TA3MLX
CBL-MUSB2-6.3	Y-split power cable with open wire pigtail
TR10R120-12A03	12V DC international wall mount AC/DC adapter with Switchcraft TA3FX
LC-LC-MD-xxM2	LC to LC duplex 50/125 μm OM2 MM fiber. xx = desired length in meters.
LC-LC-MD-xxM3	LC to LC duplex 50/125 μm OM3 MM fiber. xx = desired length in meters.
PHF-CONF-02	Configuration box



www.phrontier-tech.com

sales@phrontier-tech.com

Toll Free: 1-866-389-2829