



### Model Number

RVI58N-011AAR31N-00015

### Features

- Industrial standard housing Ø58 mm
- Clamping flange
- 10 V ... 30 V with short-circuit proof push-pull output

### Description

Focussing on the designs that are most often required has allowed us to offer rapid availability at an attractive price.

This incremental rotary encoder is available either in clamping flange design with a shaft 10 mm in diameter and 20 mm in length.

The electrical connection is made by a 12-pin round plug connector.

## Technical data

### General specifications

Pulse count 15

### Functional safety related parameters

MTTF<sub>d</sub> 140 a

Mission Time (T<sub>M</sub>) 20 a

L<sub>10h</sub> 70 E+9 at 6000 rpm

Diagnostic Coverage (DC) 0 %

### Electrical specifications

Operating voltage U<sub>B</sub> 10 ... 30 V DC

No-load supply current I<sub>0</sub> max. 150 mA

### Output

Output type push-pull, incremental

Voltage drop U<sub>d</sub> < 3 V

Load current max. per channel 20 mA, short-circuit protected (not with U<sub>b</sub>), reverse polarity protected

Output frequency max. 200 kHz

Rise time 100 ns

### Connection

Connector type 9416 (M23), 12-pin

### Standard conformity

Degree of protection DIN EN 60529, IP65

Climatic testing DIN EN 60068-2-3, no moisture condensation

Emitted interference EN 61000-6-4:2007/A1:2011

Noise immunity EN 61000-6-2:2005

Shock resistance DIN EN 60068-2-27, 100 g, 3 ms

Vibration resistance DIN EN 60068-2-6, 10 g, 10 ... 2000 Hz

### Ambient conditions

Operating temperature

Plastic disk -5 ... 60 °C (23 ... 140 °F), movable cable

-20 ... 60 °C (-4 ... 140 °F), fixed cable

Storage temperature

Plastic disk -40 ... 70 °C (-40 ... 158 °F)

### Mechanical specifications

Material

Housing powder coated aluminum

Flange 3.1645 aluminum

Shaft Stainless steel 1.4305 / AISI 303

Mass approx. 350 g

Rotational speed max. 12000 min<sup>-1</sup>

Moment of inertia ≤ 25 gcm<sup>2</sup>

Starting torque ≤ 1.5 Ncm

Shaft load

Axial 40 N at max. 6000 min<sup>-1</sup>

10 N at max. 12000 min<sup>-1</sup>

Radial 60 N at max. 6000 min<sup>-1</sup>

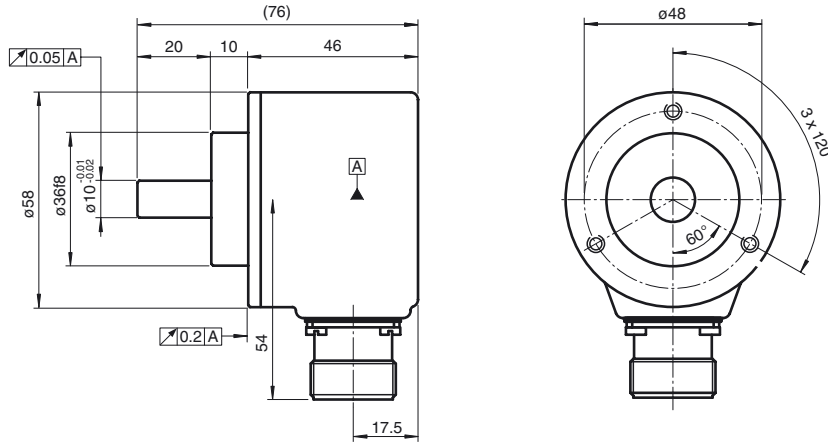
20 N at max. 12000 min<sup>-1</sup>

### Approvals and certificates

UL approval

cULus Listed, General Purpose, Class 2 Power Source

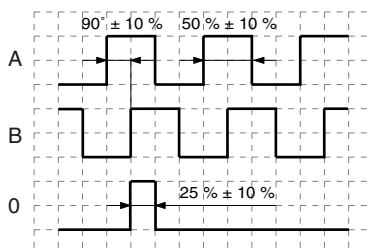
**Dimensions**



**Electrical connection**

Signal	Connector 9416, 12-pin
GND	10
U <sub>b</sub>	12
A	5
B	8
NC	6
NC	1
0	3
NC	4
NC	2
NC	7
Screen	Housing
NC	9
NC	11

**Signal outputs**



↻ cw - in view of the shaft

Release date: 2014-12-11 08:59 Date of issue: 2014-12-11 204273\_eng.xml

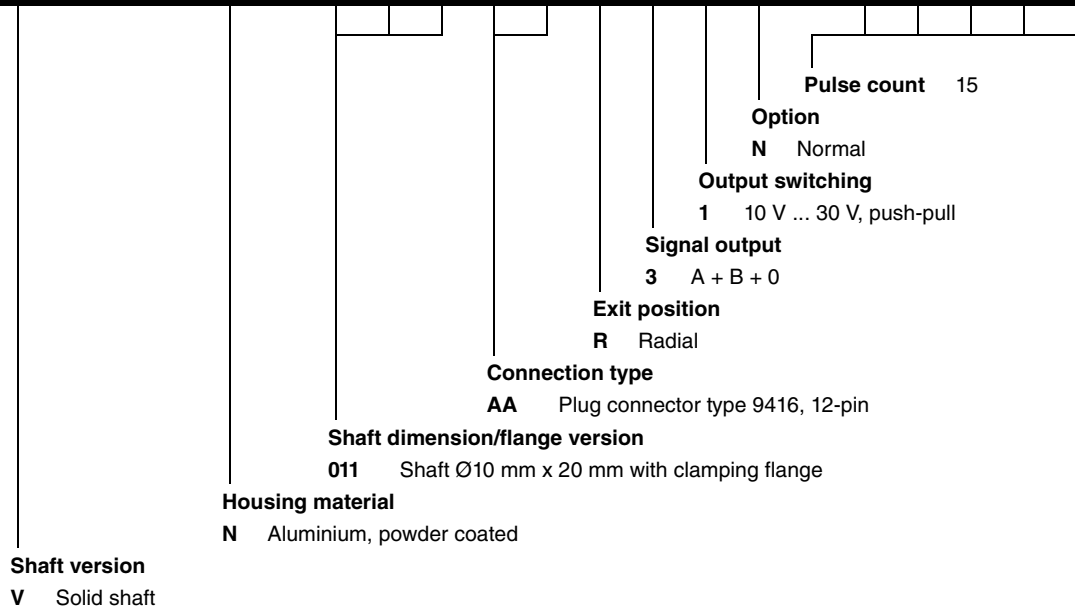
**Accessories**

For type	Accessories	Name/defining feature	Order code
RVI58N-011	Couplings	D1: Ø10 mm, D2: Ø10 mm	9401
		D1: Ø10 mm, D2: Ø10 mm	9404
		D1: Ø10 mm, D2: Ø10 mm	9409
		D1: Ø10 mm, D2: Ø10 mm	KW
	Measurement wheels with circumference of 500 mm	Plastic	9101, 10
		Pimpled rubber	9102, 10
		Knurled aluminium	9103, 10
		Knurled plastic	9112, 10
	Measurement wheels with circumference of 200 mm	Plastic	9108, 10
		Pimpled rubber	9109, 10
		Knurled aluminium	9110, 10
		Knurled plastic	9113, 10
	Mounting aids	Mounting bracket	9203
		Mounting bracket	9213
	Connector	Cable socket	9416

For additional information on the accessories, please see the "Accessories" section.

**Order code**

**R V I 5 8 N - 0 1 1 A A R 3 1 N - 0 0 0 1 5**



Release date: 2014-12-11 08:59 Date of issue: 2014-12-11 204273\_eng.xml