

**全自动中板拼板机电磁离合刹车器** CD-A-2.5/CD-A-5/CD-A-10/CD-A-20/CDA010AF

**双出轴內藏式电磁离合刹车器组合体** CDA0S6AA/CDA1S5AA/CDA2S5AA/CDA005AA/CDA010AA/CDA020AA

**仟岱总代理** 13710967244 **余彦泽** <http://www.chaintail.com.cn>

CDA型離合器刹車組合體為--CDF離合器與--CDG刹車之組合。

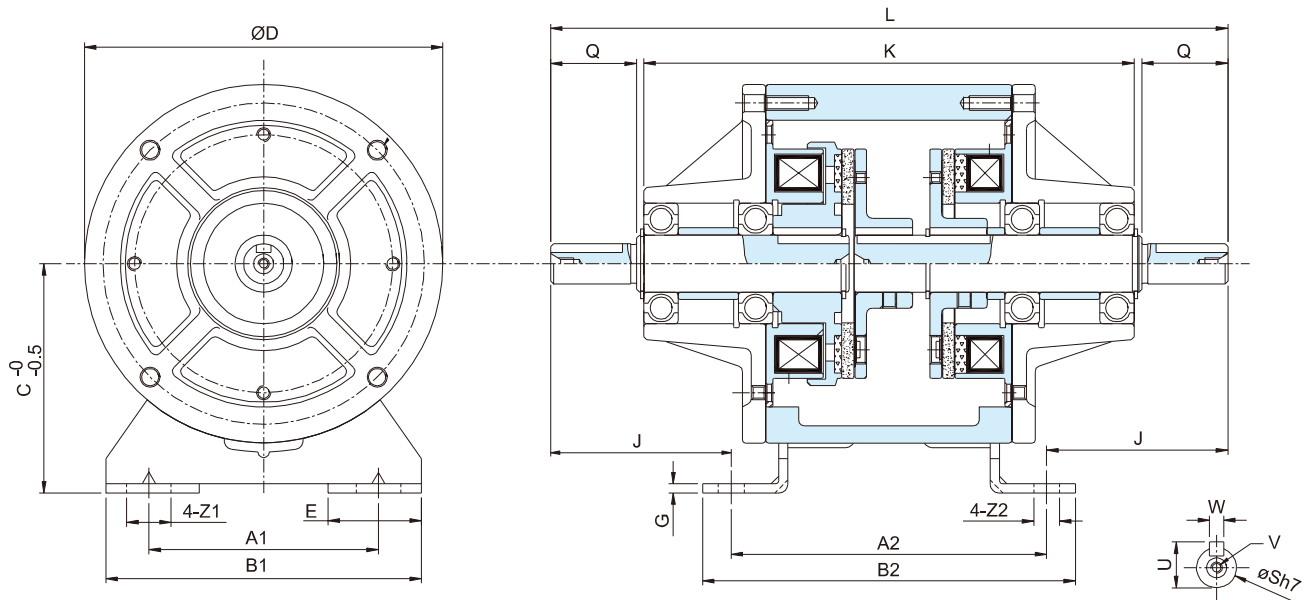
The CDA clutch and brake assemble incorporates the CDF clutch and the CDG brake into one unit.

- 離合器之轉子被固定於入力軸上，離合器之電樞與刹車則在同軸而形成的出力軸，離合器之軛與刹車裝置於機架上。當電流通過離合器時，出力軸即被帶動當離合器分離。刹車有電流通過時，出力軸就停止轉動。

The clutch rotor is attached to the input shaft, and the clutch armature and brake use the same shaft which acts as an output shaft. The clutch yoke and brake are set on the frame of the machine, and when the clutch is energized the output shaft is instantly moved away from the clutch. When the brake is energized the output shaft stops turning.

- 本機種適用於起動、停止、高頻運轉，寸動定位。

This unit is suitable for starting, stopping, high frequency cycles and stationary passive applications



型號 MODEL	CDA0S6AA	CDA1S5AA	CDA2S5AA	CDA005AA	CDA010AA	CDA020AA
靜摩擦轉距 Static Friction Torque [kgm](Nm)	0.55 (5.5)	1.1 (11)	2.2 (22)	4.5 (45)	9 (90)	17.5 (175)
功率 Power [24V](W) at 20°C	11	15	20	25	35	45
懸垂荷重 Suspended load (kgf)	32	48	70	90	130	180
徑方向 Radius	A1	65	80	105	135	195
	B1	90	110	140	175	240
	C	65	80	90	112	160
	D	100	125	150	190	290
	E	27.5	32.5	35	42	47
	S	11	14	19	24	38
	U	12.5	16	21	27	41.5
	W	4	5	7	10	
軸方向 Shaft	Z1	13.5	15.5	20	24	28
	A2	90	110	135	160	240
	B2	105	130	160	185	270
	G	2.6	3.2	3.2	4.5	6
	J	48.5	63	80	108	188
	K	132	171	210	270	448
	L	187	236	295	376	616
	Q	25	30	40	50	80
	V	M4*0.7P*8L		M6*1P*11L		
Z2	6.5	9	11	14		
重量 Weight (kg)	2.1	4.2	6.8	12	22	49
保護素子 Protective device	470KD07	G80KD10		G80KD14		